

CAUTION

ELECTRO-STATIC DISCHARGE CONTROL PROCEDURES SHOULD BE OBSERVED WHILE HANDLING THE COVER ASSEMBLY OR THE CONTROLLER PCB ASSEMBLY.

BFV-2 BILL ACCEPTOR
INITIAL INSTALLATION & ROUTINE SERVICE

PREPARING THE BFV-2 FOR INSTALLATION

See Figure 1.

1. Remove screws and lift cover assembly to access the controller PCB assembly.
2. Place security level jumper in either the HI or LOW security position.
3. Place \$5 acceptance jumper in \$5 ACCEPT or \$5 REJECT position.
4. Install or remove the optional stringing protection PCB assembly as desired.
5. Replace the cover assembly and secure in place with the screws removed in Step 1.

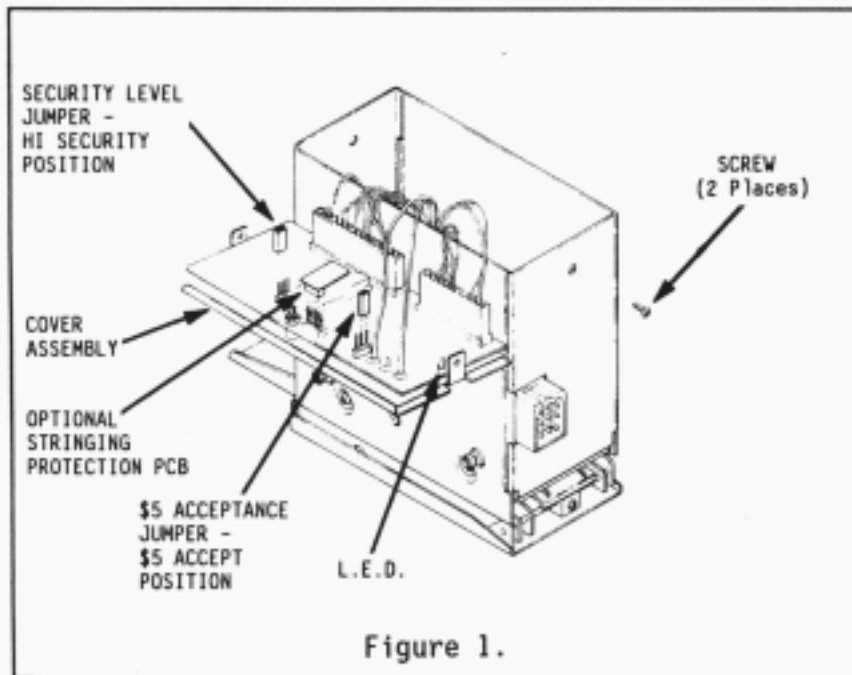
LED DIAGNOSTIC SIGNALS

See Figure 1.

WARNING

DISCONNECT THE BFV-2 FROM ITS POWER SOURCE BEFORE REMOVING OR REPLACING THE COVER ASSEMBLY.

1. Remove screws and lift cover assembly to access the controller PCB assembly.
2. Locate the LED on the circuit board.
3. Reconnect the BFV-2 to its power supply.
4. Observe the LED signal and refer to Table 1.



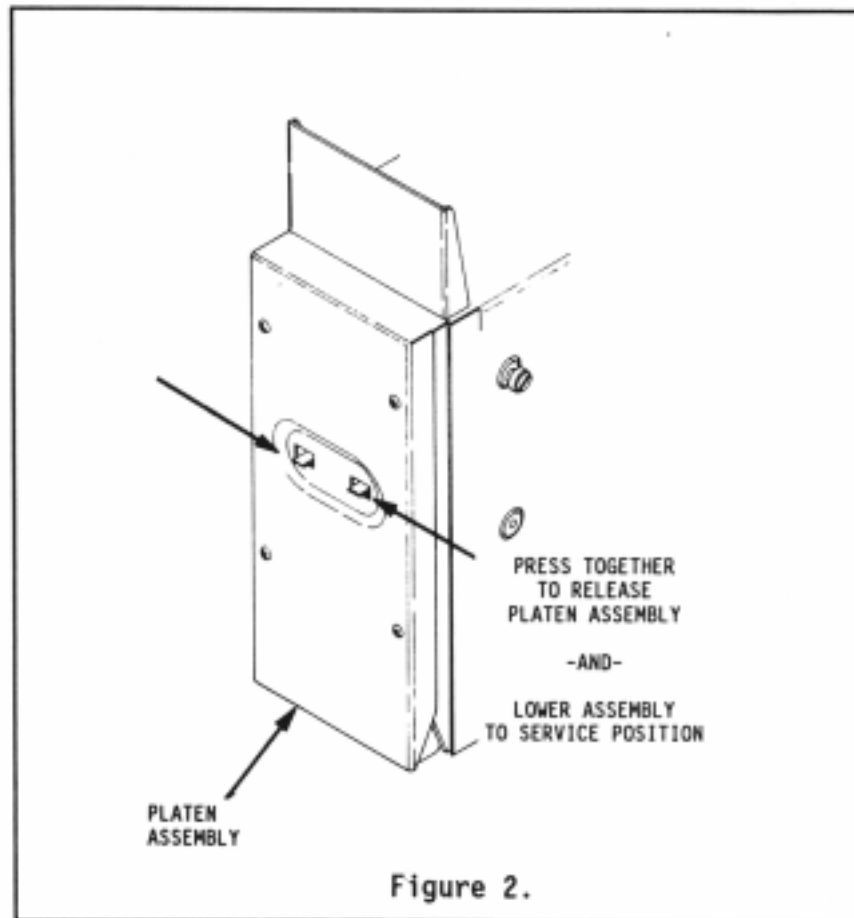
SIGNAL	CONDITION
Steady ON/OFF One Per Second	Normal - Ready to accept bills.
OFF Continuously	The motor is running.
ON Continuously	The enable circuits are OFF.
RAPID FLASHING Five Per Second	One or more of the switches are jammed.
ON Ten Seconds OFF Ten Seconds	Stringing was detected. Microprocessor is in a five minute delay. This only applies when the stringing protection PCB is installed.

Table 1. LED Diagnostic Signals

5. Replace cover and secure in place with the screws removed in Step 1.

ACCESSING THE HEADS, BELTS AND ROLLERS

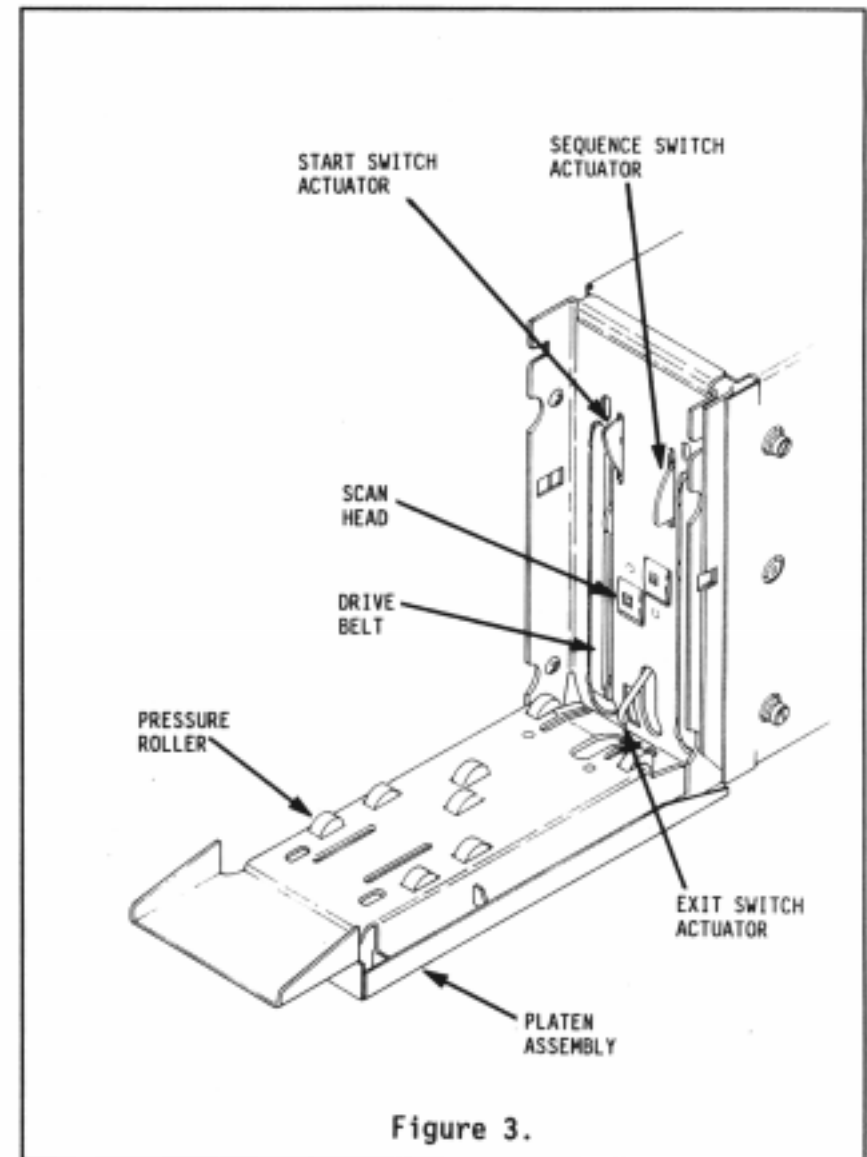
See Figure 2.



CLEANING THE BFV-2

See Figure 3.

1. Clean exterior metal parts with warm water and mild detergent.
2. Thoroughly dry surfaces with a clean, lint-free cloth.
3. Clean scan heads, rollers and belts with denatured alcohol.



4. Raise the platen assembly to the operating position until it locks in place.